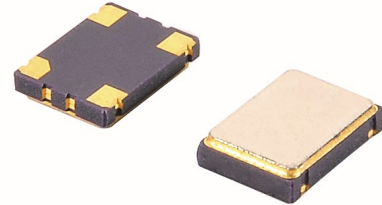


5x7 SMD OSCILLATOR(HCMOS/TTL)

Part Number Guide

T-V-S-FF.FFFM- FS-OT-OP

T(Type型号):0F=5×7×1.4mm Max ceramic osc(side pad)
 V(Input Voltage输入电压):1.8=1.8V 2.5=2.5V 2.85=2.85V 3=3.3V 5=5.0V, etc
 S(Symmetry占空比):5=45/55 Max 6=40/60 Max
 F(Frequency标称频率):Normal - 5 digitals of Frequency, e.g. 8.0000M, 12.000M
 Special - All digitals of Frequency, e.g. 13.225625M
 FS(Frequency Stability总频差):50=±50 ppm, etc
 OT(Operating Temperature工作温度):0070= 0°C to +70°C 4085= -40°C to +85°C, etc
 OP(Output输出):1=15PF HCMOS 2=10TTL 3=30PF 4=50PF 5=10TTL/15PF

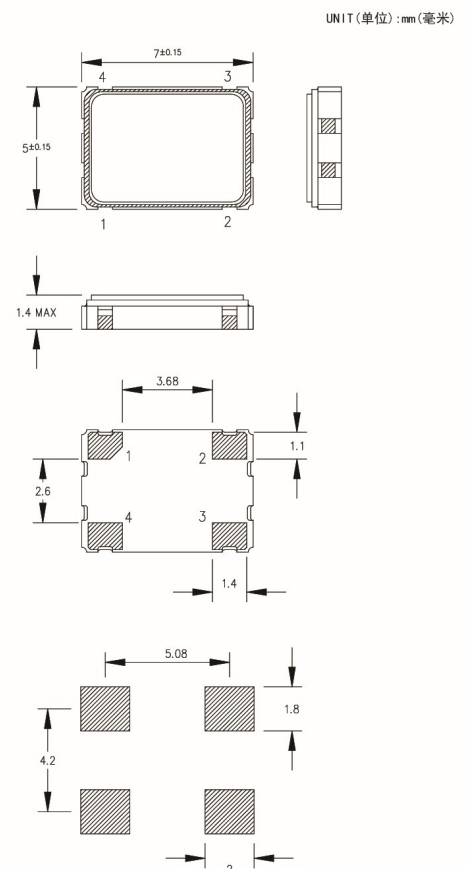


Pb Free **RoHS Compliant**
 Directive 2002/95/EC

Electrical Specifications 电气参数

Item 项目	Spec 规格		Condition 条件
Frequency Range 频率范围	0.032768MHZ 1MHz~156.25MHZ		For further questions regarding specifications, please feel free to contact us. 对于超出标准的规格, 请联系我们
Operating Voltage 工作电压 (V)	1.8V~5.5V		
Output Waveform 输出波形	HCMOS 方波		
Output Load 输出负载	15pF		
Symmetry (Duty Cycle) 占空比 (%)	45~55		
Rise/Fall Time 上升/下降时间 (ns)	32.768KHz	<100	0.1Vdd→0.9Vdd
	1~10MHz	<10	
	10~40MHz	<6	
	40~156.25MHz	<3	
Current Consumption 消耗电流 (mA)	32.768KHz	<0.1	3.3V, 无负载 3.3V, No Load
	1~40MHz	<5	
	40~60MHz	<10	
	60~100MHz	<20	
	100~156.25MHz	<30	

Mechanical Dimensions 外型尺寸



PIN	FUNCTION
1	N/C or Tri-state
2	Ground
3	Output
4	Vdd